

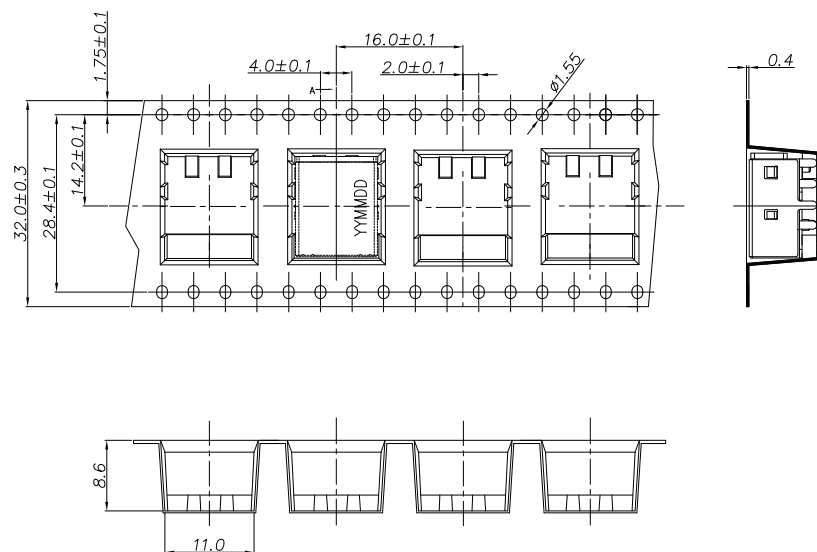
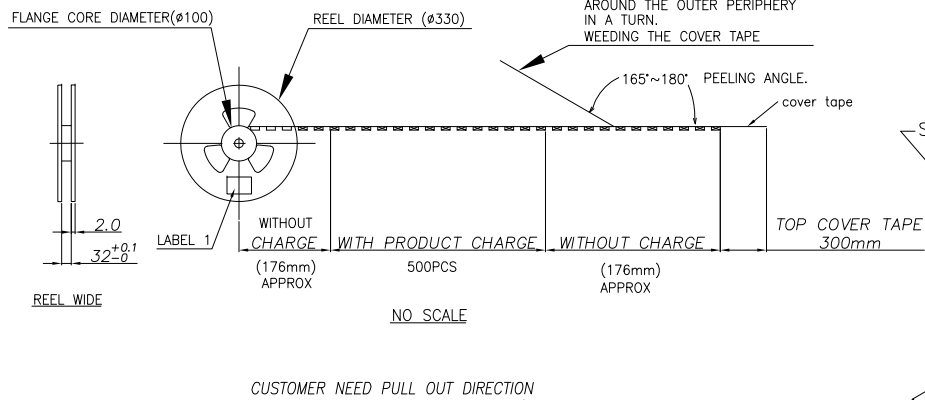


THE INFORMATION CONTAINED IN THIS DOCUMENT IS PROPRIETARY TO JEN JIA PRECISION TECHNOLOGY CO.,LTD, ANY REPRODUCTION IN PART OR WHOLE WITHOUT PRIOR WRITTEN APPROVAL OR AUTHORIZATION OF JEN JIA PRECISION TECHNOLOGY CO.,LTD IS STRICTLY PROHIBITED.

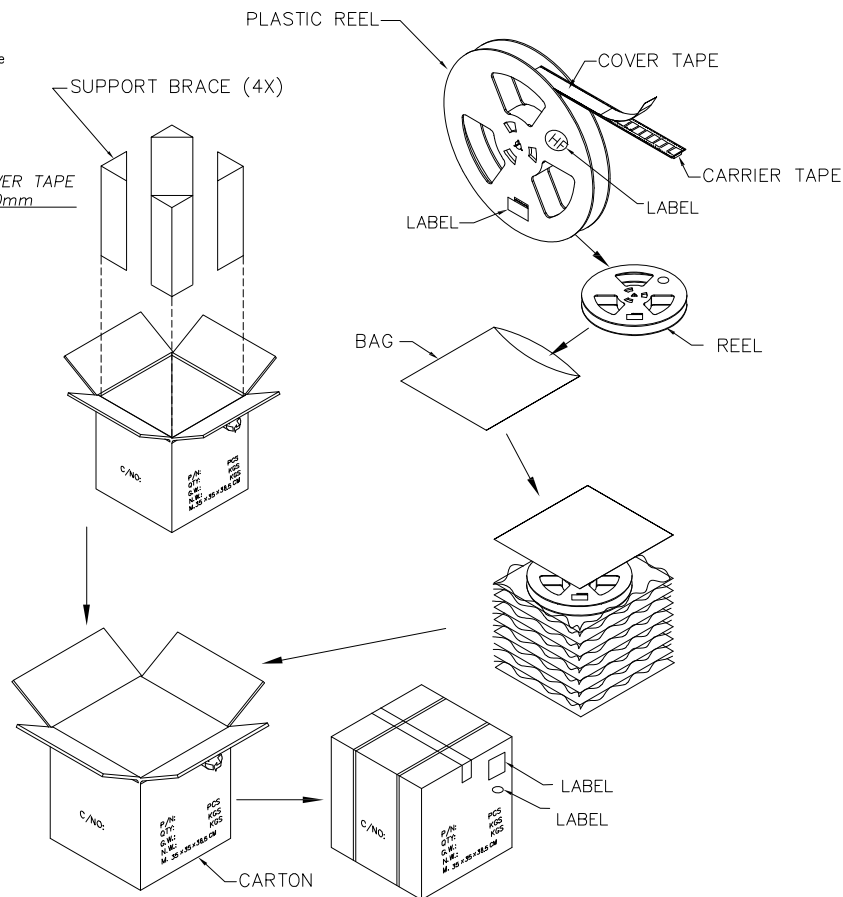
RoHS COMPLIANT

REVISIONS

REV	ECN NO.	DESCRIPTION	APPROVED BY	DATE
1		PROPOSAL DRAWING	Helly Luo	2017-10-18
2		Change the package	Helly Luo	2018-01-03
3		Change the title	Helly Luo	2018-06-14



- PACKING DETAILS:  
 1, 500 pieces per reel.  
 2, 10 reel per export carton.  
 3, Total 5000 pieces per export carton.  
 4, Measurement: 350\*350\*385mm (LxWxH)



DO NOT SCALE DRAWING

DIMENSIONS:  
 MM [INCH]    INCH [MM]    MM ONLY

UNLESS OTHERWISE SPECIFIED,  
 GENERAL TOLERANCE:  
 DECIMALS                      ANGLES  
 X. ±0.30                          X' ±5'  
 .X ±0.20                          .X' ±3'

CAD GENERATED DRAWING,  
 DO NOT MANUALLY UPDATE

THIRD ANGLE PROJECTION

JJP Jen Jia Precision Technology Co., Ltd.

TITLE		3.5φmm AUDIO JACK	
PART NO.	81JK21M05X0R	APPROVED BY	JASON MENG
DRAWING NO.	81JK21M05X0R	CHECKED BY	STEVEN LIU
MATERIAL		DRAWN BY	Helly Luo
FINISH		GENERATD DATE	2018-01-03
SCALE	SHEET	REV.	SIZE: A4
FREE	2/2	3	FILE NO.:JJP-A-05-003